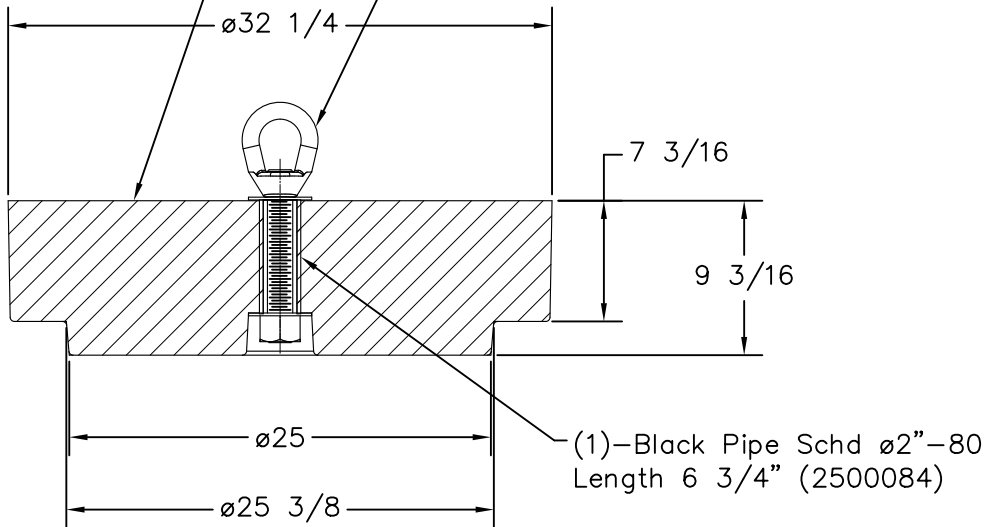


1750 Lbs Anchor Weight
(8120034)

Kit 10" Anchor
Set 1750 (8200044)



NOTE:

- 1-MATERIAL: BAR & NUT GALVANIZE STEEL.
- MATERIAL: BLACK PIPE ø2"-80 SCHEDULE PIPE
LENGTH: 6 3/4".
- 2- TOTAL WEIGHT: 1759 LBS APP.

US FOUNDRY
AN EAGLE MANUFACTURING COMPANY © 2013 All Rights Reserved

8351 NW 93rd Street
Medley, FL, 33166-2025
ph: 1-800-432-9709
fax: 305-887-9429
www.usfoundry.com

USF 1750 Lbs Anchor

MATERIAL: ASTM-A48 GRAY IRON CLASS35B			
Weight No.	8120040	Wght: 1760	SCALE: 1"=1"
DATE:		12/15/2008	
DWN. BY:		ULS	
UNLESS OTHERWISE NOTED WEIGHT IS IN POUNDS AND APPROXIMATED ±5%			
REV: 0	DATE:	REV BY:	QUOTE#