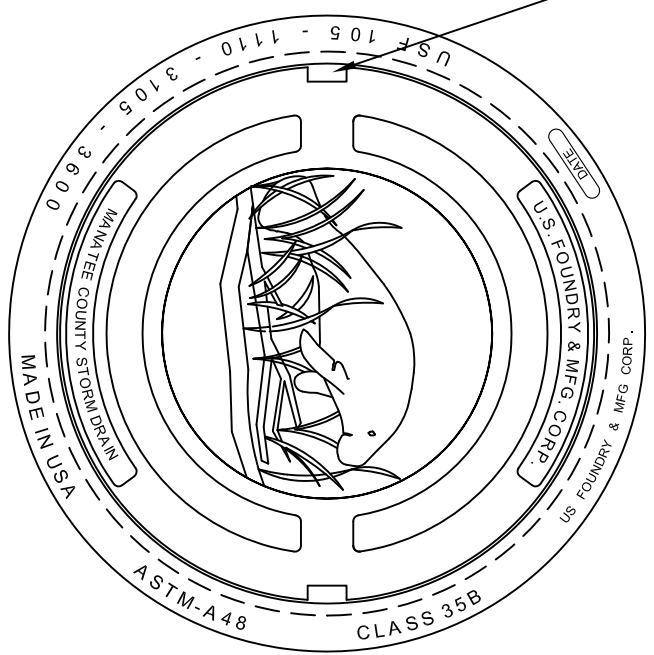
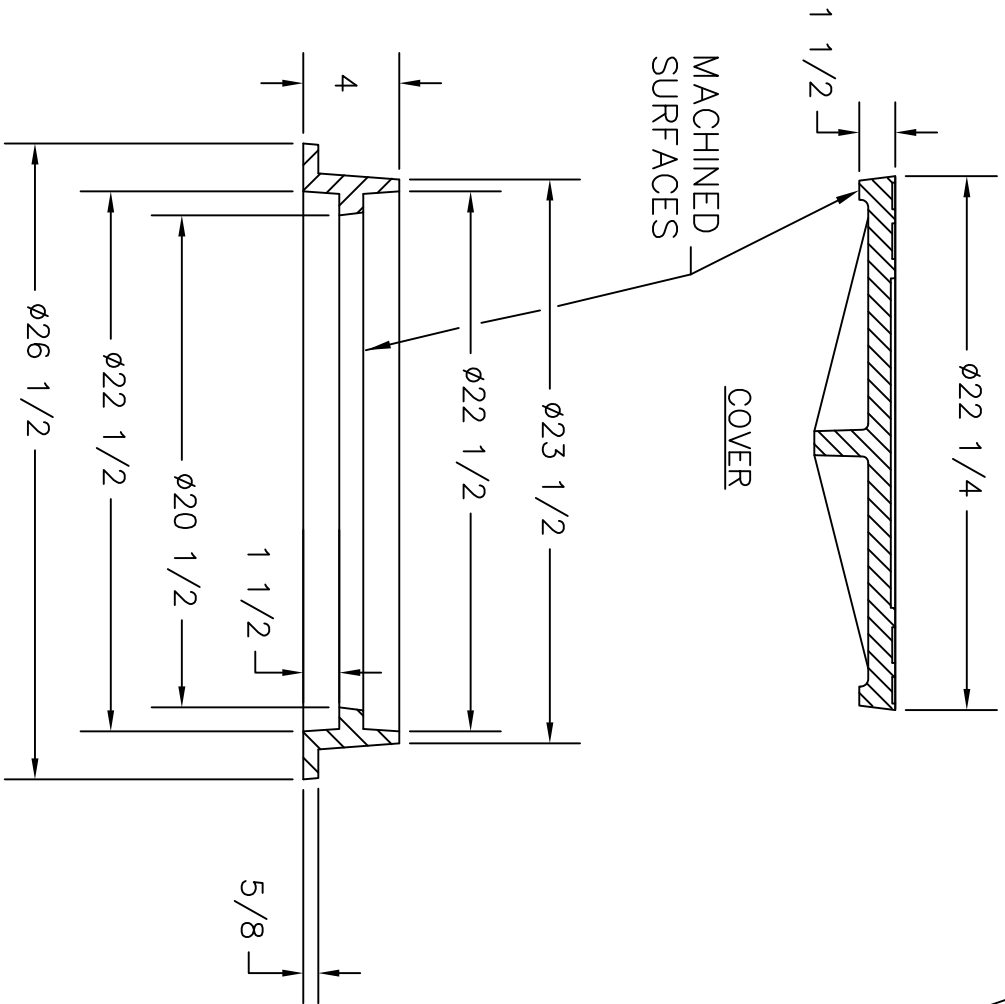


(2) NON-PENETRATING PICKHOLES



RING

US FOUNDRY & MFG. CORP.
 8351 NW 93rd Street, Medley, FL 33166-2025
 ph: 1-800-432-9709; fax: 305-887-9429
 www.usfoundry.com
 © 2010 US Foundry & Mfg. Corp. All Rights Reserved

USF 105 RING & NG COVER
 (M DRAG)

LOAD CLASSIFICATION: Heavy Duty	
MATERIAL: DI ASTM A-53677	68-45-12
Ring No: 8020226	WGHT: 90 SCALE: 1/8"=1"
Cover No: 110	DATE:
	DATE:
	DATE:
	DATE:
	DATE:
UNLESS OTHERWISE NOTED WEIGHT IS IN POUNDS AND APPROXIMATED	
REV: DATE: REV BY: QUOTE#	