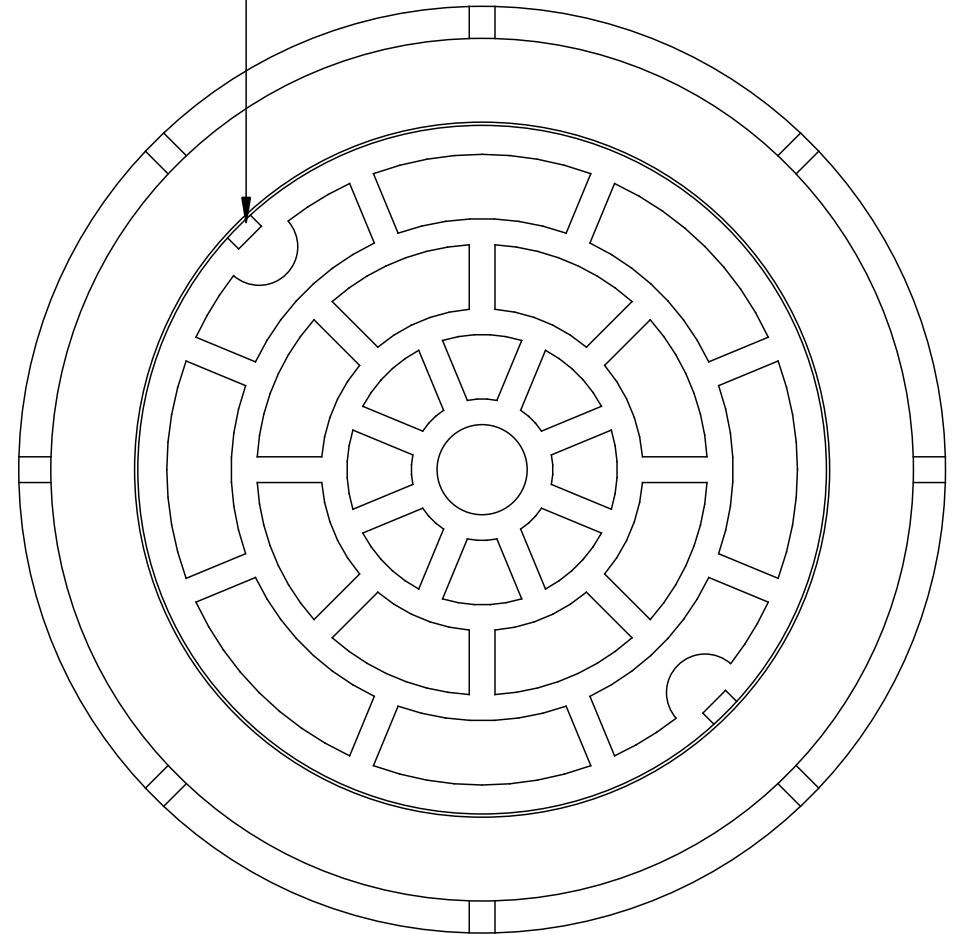
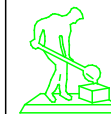


(2)-NON-PENETRATING PICKHOLES



NOTES:

- 1- MATERIAL: ASTM-A48 CLASS 35B GRAY IRON.
- 2- FRAME WT: 480 LBS. APP.
- 3- COVER WT: 260 LBS. APP.
- 4- LOADING: HEAVY DUTY, 152,000# PROOF LOAD



U.S. FOUNDRY & MFG. CORP.
 MEDLEY, FLORIDA

USF 8630 RING
 GT COVER

| | | |
|--------------|----------------|---------------|
| DWN. BY: JWS | SCALE: 1/8"=1" | DATE: 6/24/97 |
| CHK. BY: | DWG. NO: A3852 | REV: |