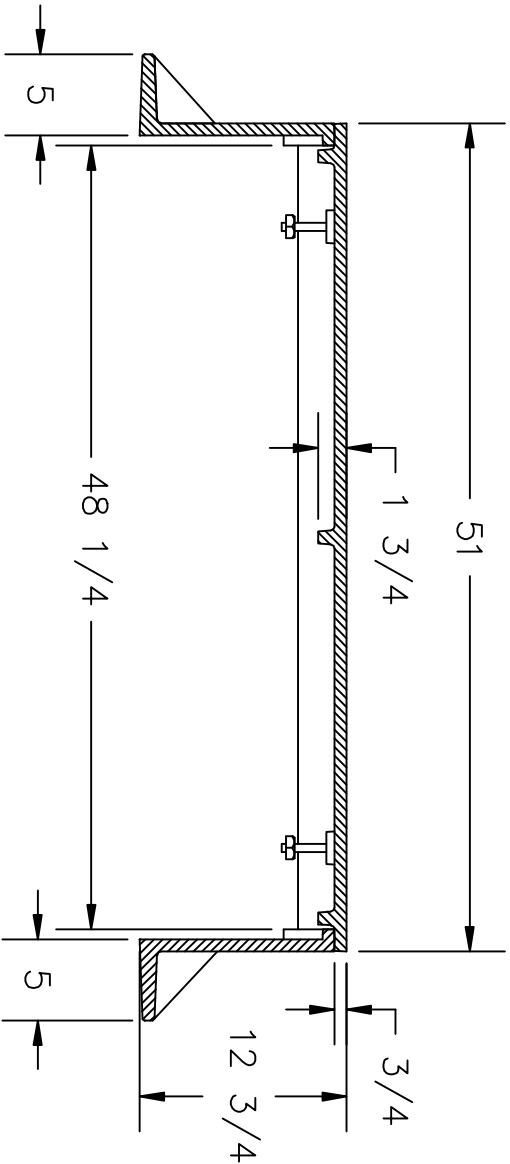
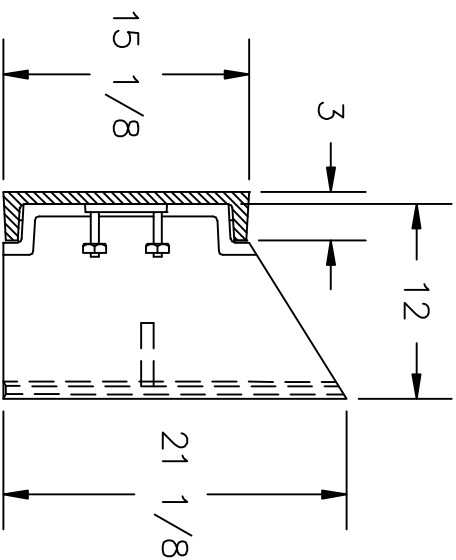


(2) DROP HANDLE



U.S. FOUNDRY & MFG. CORP.
 MEDLEY, FLORIDA

DESCRIPTION
 USF 5166 FRAME & LZ COVER

MATERIAL: ASTM-A48 GRAY IRON CLASS: 35B

FRAME WEIGHT: 120 COVER WEIGHT: 210

UNLESS OTHERWISE NOTED WEIGHT IS IN POUNDS AND APPROXIMATED

DMN. BY: SCALE: ITEM No. DWG DATE: 2-14-08

AM/OD 1"=1' DWG No. REV:

REV: DATE:

DESCRIPTION:

REV BY:

CHK. BY: